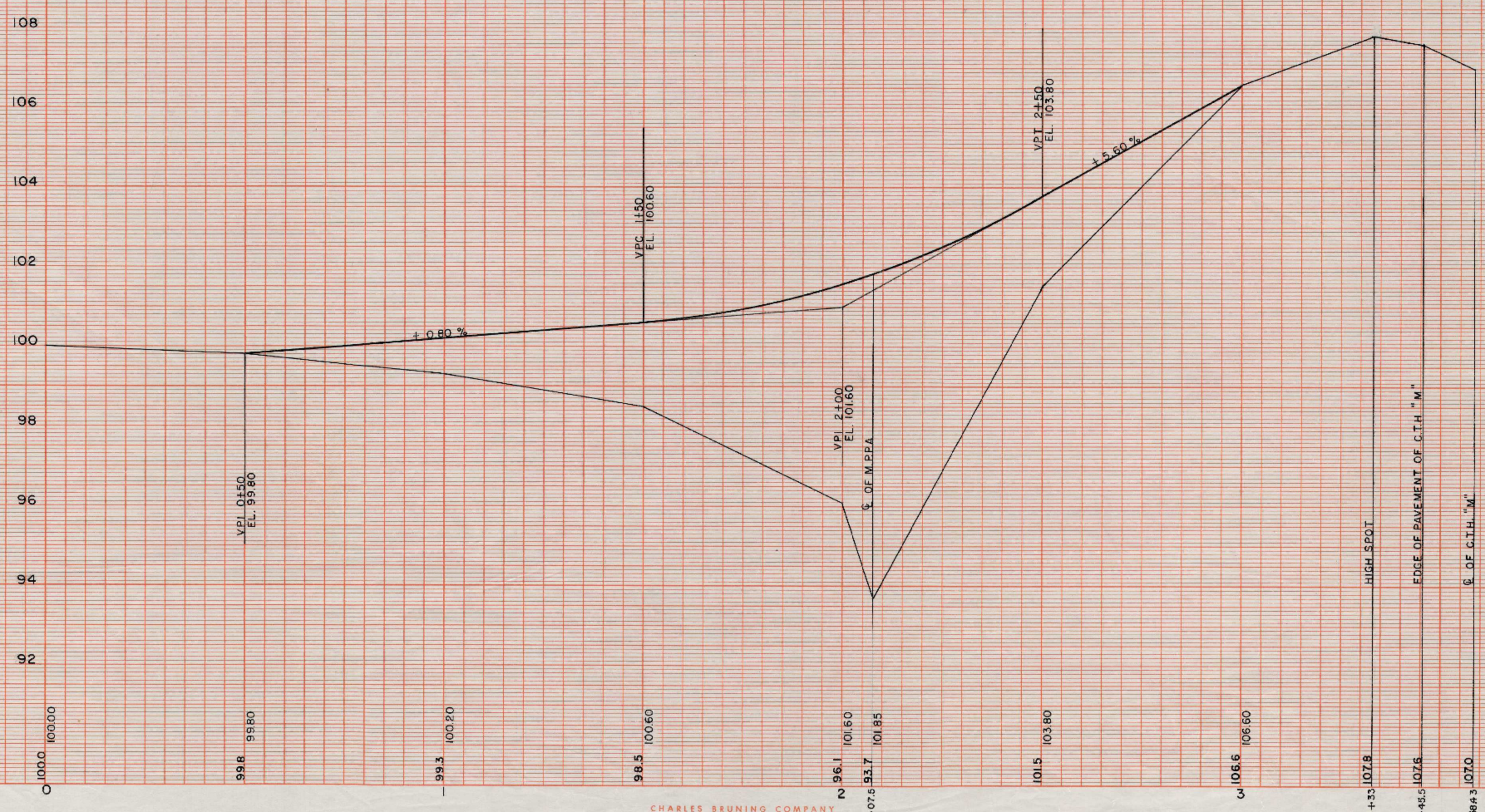


SCALE: 1" = 20' LINE BK. NO. J-142



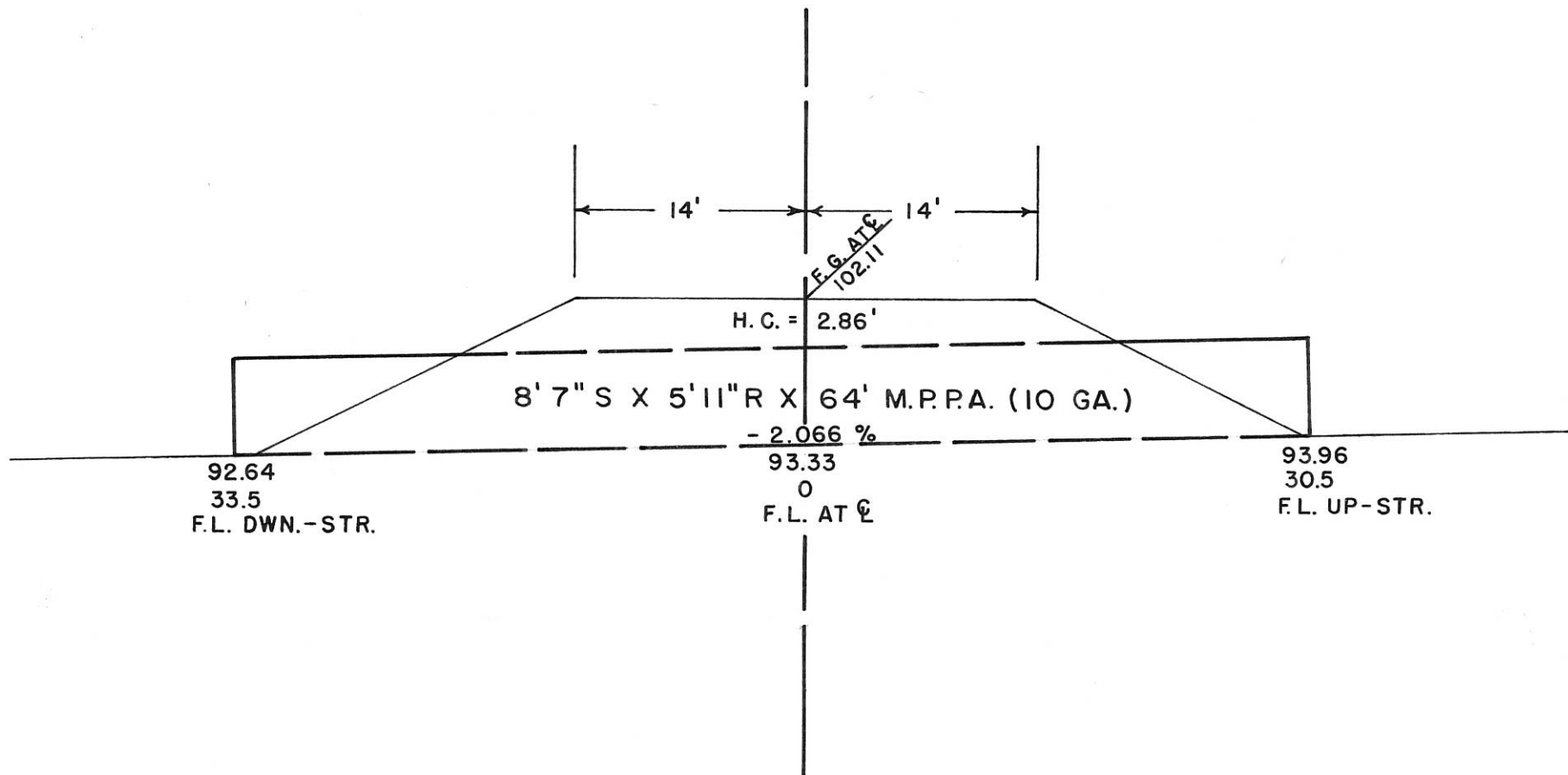
SCALE: 1" = 20' HOZ.
1" = 2' VERT
LEVEL BK. NO. J-156

TOWN OF ONALASKA

BRIDGE REPLACEMENT ON SWEDEN COULEE RD.

PLAN NO. 503

CHARLES BRUNING COMPANY



PRO. PIPE ON
 SWEDEN COULEE RD.

TOWN OF ONALASKA

SCALE: 1"=10'